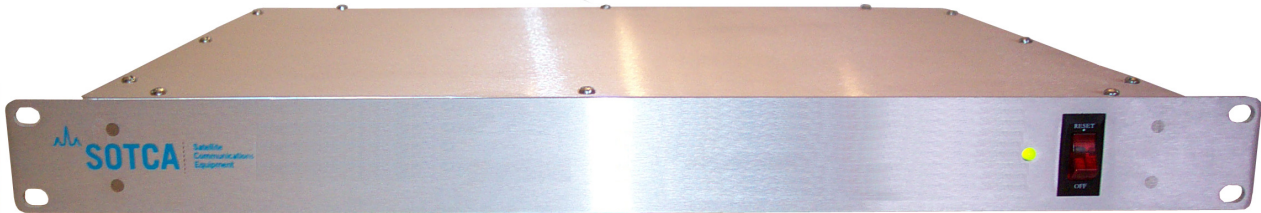


STC 8310IU Interface Unit (Injector/Splitter)



The STC 8310IU is a fully configurable, plug-and-play and cost-effective interface equipment unit capable of providing a single source 10MHz master reference and DC power to ODUs (LNB/SSPB).

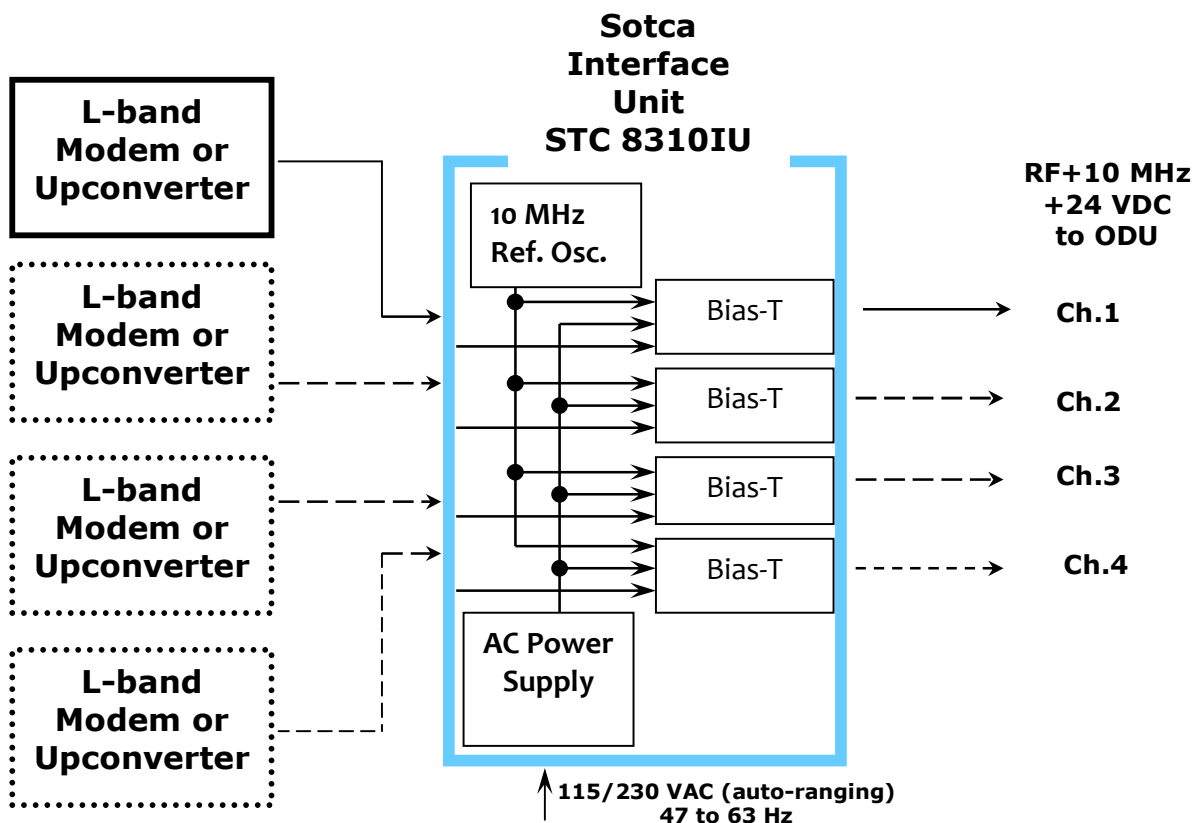
Applications

- Master Oscillator
- Satellite multi-service systems
- Satellite ground stations
- VSATs and Hubs

Key Features

- Fully configurable to tailor to many field applications and customer specifications
- Exceptional performance parameters, low cost by design

Interface Unit Block-Diagram for application with Modem(s) or Upconverter(s)



Interface Unit Block-Diagram for application with Downconverter

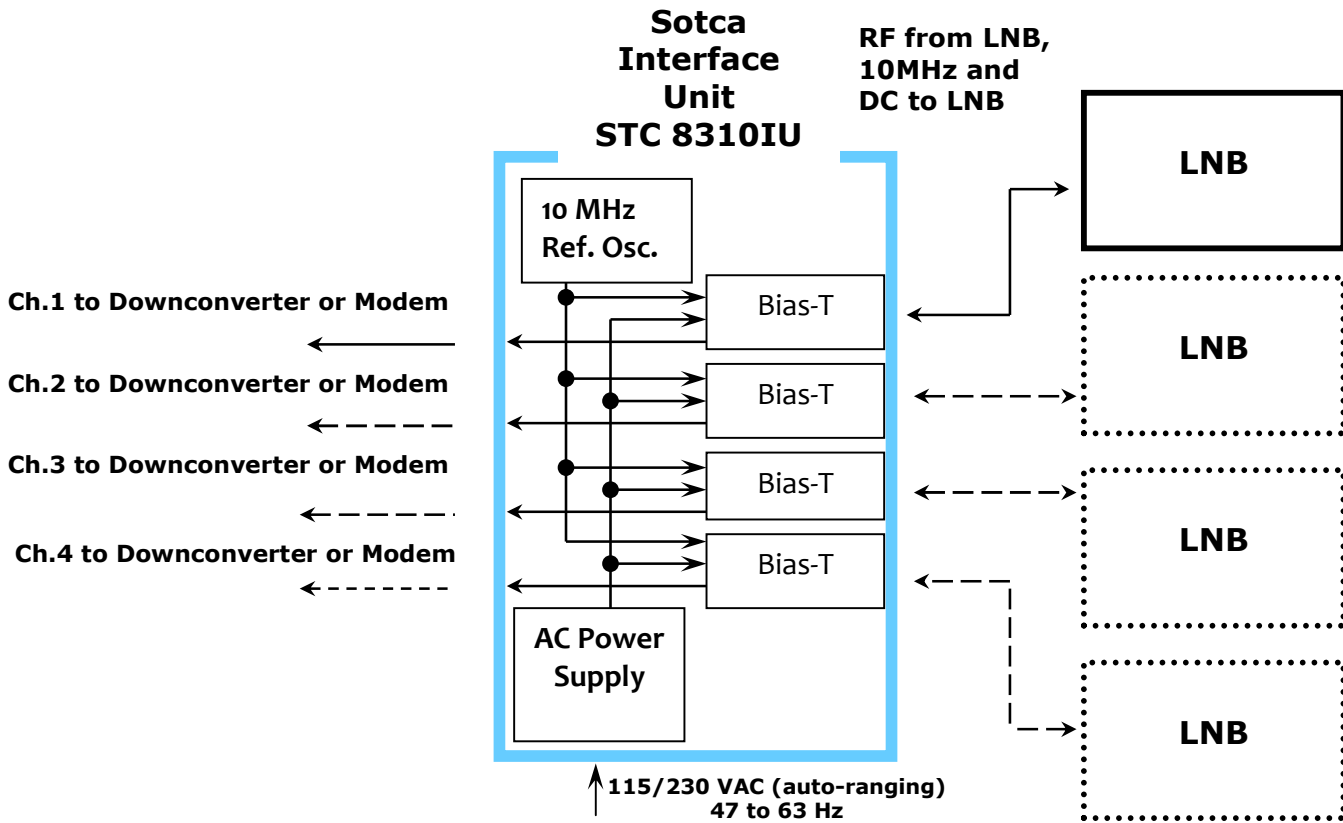


Table 1. Technical Specifications

Transfer Parameters		DC output to LNB/SSPB	
Number of channels	1 to 4	Voltage	24V (other voltages up to 48V available)
Frequency Range	950 to 2150 MHz	Current	2.5A max
Insertion loss	1.5dB Max, < 1dB Typical	External Reference Input	
Flatness	+/- 1dB Max, +/- 0.5dB Typical	Frequency	10MHz
Amplitude response over frequency band	±1.0 dB, 950-2150 MHz; ±0.5 DB, 36 MHz BW	Input Level (w/auto-sense)	0 dBm nom ±1dB (custom levels available)
10MHz to RF output in Downconverter Application	80dB min	Mechanical	
Interface		Width	19" standard rack mount
Connectors RF In/Out	SMA (F)	Height	1U (1.75")
Impedance	50 Ohm	Depth	13", plus connectors
VSWR, In/Out	1.5:1 max	Weight	1.5 kg
10 MHz IN	BNC	Power Requirements	
Impedance	50 Ohm (75 Ohm optional)	Voltage	95/230 VAC (auto-ranging)
Internal Reference		Frequency	47 to 63 Hz
Frequency	10 MHz	Power consumption	120W max
Stability (0 to 50 °C)	± 0.05ppm (High Stability opt)	Operating Temperature	
Phase noise	-120dBc/Hz at 10 Hz -140dBc/Hz at 100 Hz -145dBc/Hz at 1 kHz -150dBc/Hz at 10 kHz	0 to +50 °C	
Output Level	0dBm ±1dB (custom levels available)		

Typical Specification. Subject to change without notice.